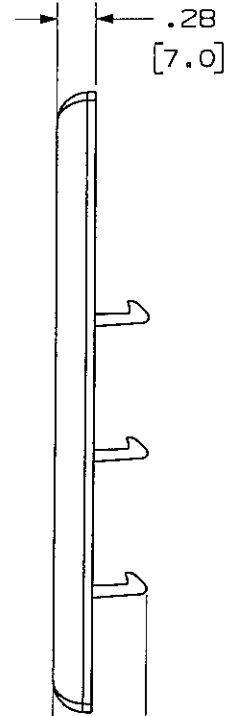
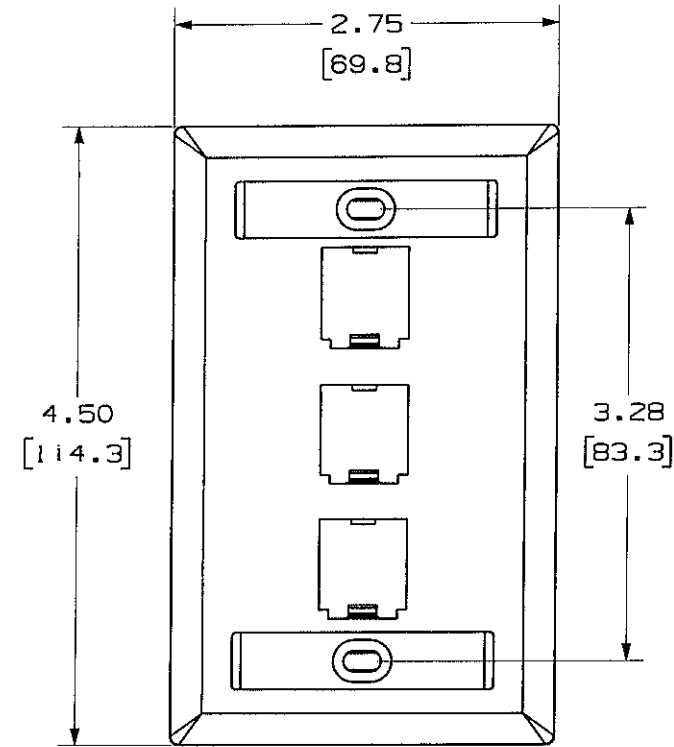
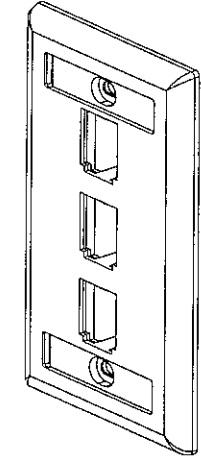


THIS COPY IS PROVIDED ON A RESTRICTED BASIS AND IS NOT TO BE USED IN ANY WAY DETRIMENTAL TO THE INTERESTS OF PANDUIT CORP.



PANDUIT P/N	WEIGHT
CFPL3**Y	.56 LB/10 PCS. (253.8 G/10 PCS.)

- NOTES:
- SEE CURRENT CATALOG FOR ADDITIONAL PART NUMBER SUFFIXES TO INDICATE COLOR AND OR PACKAGE QUANTITY.
 - SEE CATALOG FOR COMPLETE LIST OF PARTS APPLICABLE FOR USE WITH THIS PART.
 - PART INCLUDES:
 - 1- FACEPLATE
 - 2- MOUNTING SCREW
 - 2- LABEL
 - 2- LABEL COVER
 - DIMENSIONS IN [] ARE IN METRIC.



NETWORK SYSTEMS
MAY 25 2006
ENGINEERING DEPT

MODEL FILENAME	M00734BD_3POS_VERT_00.PRT	SIZE	A										
DRAWING FILENAME	M02479ED_DC110_00A.PRT												
MINI-COM 3 POSITION VERTICAL FACEPLATE WITH LABEL CUSTOMER DRAWING													
PANDUIT TM CORP. TINLEY PARK, ILL 60477	I.I. NUMBER	N/A											
	PRODUCT SPEC	N/A											
THIRD ANGLE PROJECTION	WORK INSTRUCTION	N/A											
	SCALE	NONE											
ALL DIMENSIONS ARE GIVEN IN INCHES, UNLESS OTHERWISE SPECIFIED. DIMENSIONAL TOLERANCES ARE: (.X) ± .01 (.XX) ± .001(.01) ANGLES ±	PART NO.	CFPL3**Y											
DRAWN BY: JsP DATE: 4-26-06 CHECK'D: [Signature]	MATERIAL:	ABS											
REV DATE BY CHK DESCRIPTION ECN R CUST SUP OTH													
R	4-26-06	JsP	[Signature]	RELEASED TO PRODUCTION	02479-110	[Signature]	[Signature]						

REV	DATE	BY	CHK	DESCRIPTION	ECN	R	CUST	SUP	OTH
-----	------	----	-----	-------------	-----	---	------	-----	-----